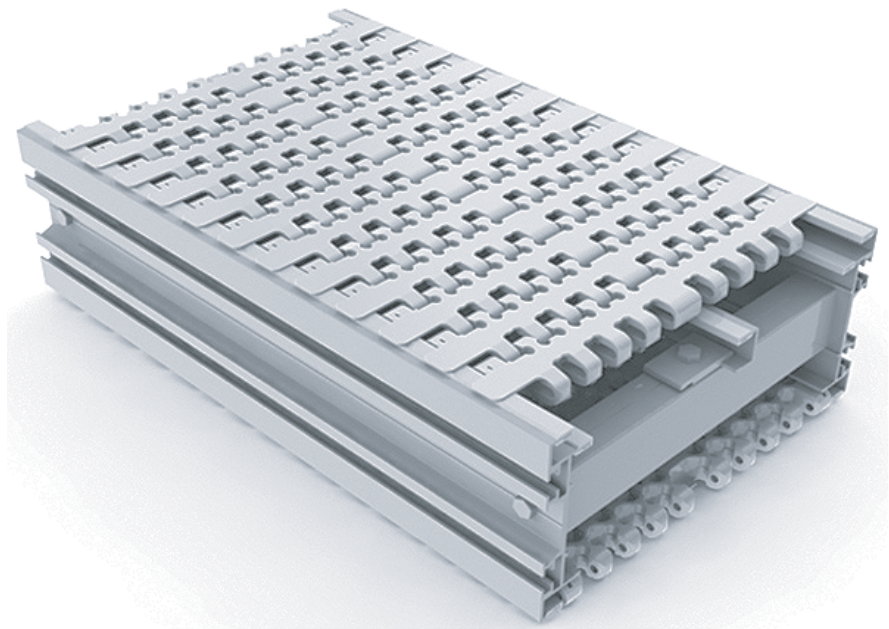


FW
300mm
Conveyor
System



FW

FW SERIES

Variety of chain types suitable for wide range of applications either horizontal or vertically product transportation. The maximum product width to be conveyed by can be referred to guide rail assembly pages.

FW Series Characteristic

Beam Width: 320mm

Product Width: Refer to Guide Rail Assembly

Accessories Needed

Slide Rail Required: FASR-25 OR FASR-25U

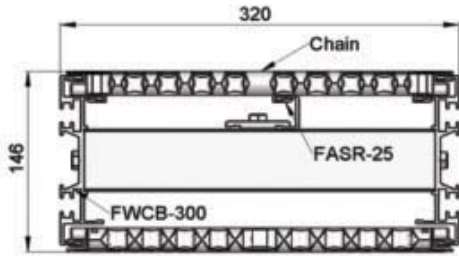
Slide Rail Colour: White Or Natural Colour

Slide Rail Material: HDPE OR UHMW-PE

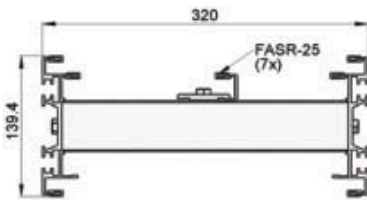
Slide Rail Rivet & Screw: FASLR-4X6 or FASLS-M5

Connecting strip is used to connect 2 beams.

Connecting Strip: FACS-25x140A



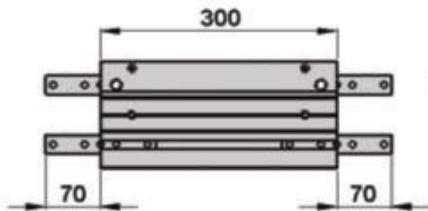
Conveyor Beam **FWCB300-3**



UOM : 3 Meter / Length



Chain Connecting Module **FWCC-300**



UOM: pc



Chain Common Data

Packaging: 3m per box , 1m per box

Pitch: 36.5 mm

Width: 300mm

Tensile Strength at 20°C: 18000N

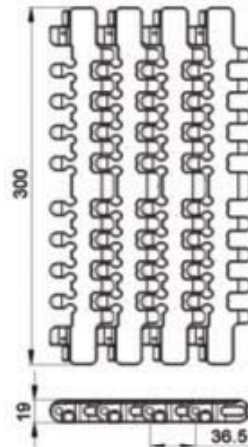
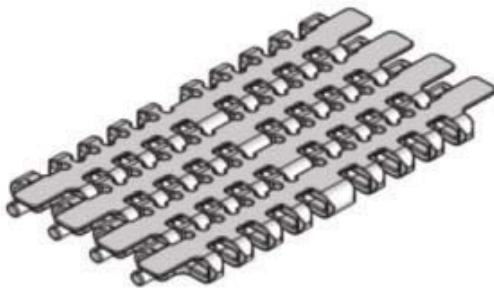
Colour: White

Material :-

Chain: White Acetal / POM (white colour)

Pin : Nylon

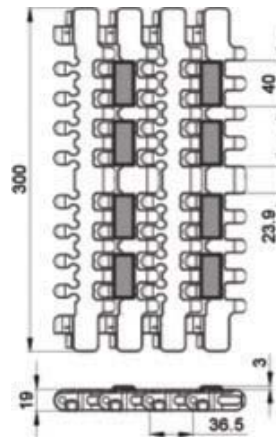
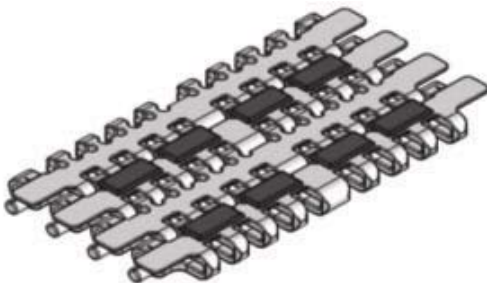
Standard Plain Chain FWPC300-3



UOM : 3 Meter / box

Application: Suitable for horizontal and slope <math>< 5^\circ</math> transport of products with accumulation.

Friction Top Chain FWFT300-3



UOM : 3 Meter / box

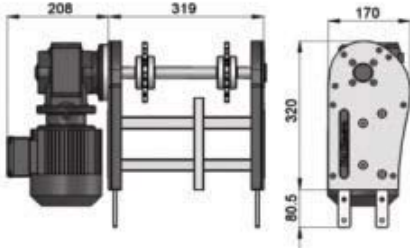
Application: Suitable for transport product in slope >math>5^\circ</math> but $\le 30^\circ$ without accumulation.

FW

FW SERIES

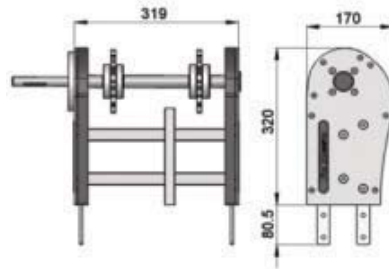
FW Direct End Drive with Motor (LEFT)

FWDD-0.25L, 0.37L, 0.55L



FW Direct End Drive without Motor (LEFT)

FWDD-0L



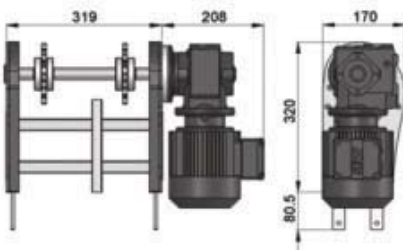
Max Traction Force : 500N

The Direct End Drive Unit is without torque limiter. Standard attached gear motors are with SEW motor size 0.25kW, 0.37kW & 0.55kW. FWDD-0L represents direct drive without gear motor. Multi channel drives are available upon request.

UOM : pc Chain required 2-way :0.8 meter Slide rail required 2-way: 0.4 meter

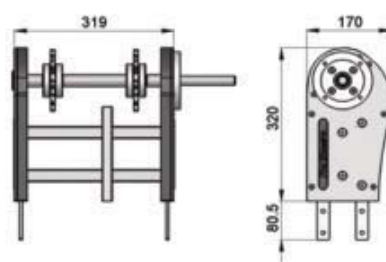
FW Direct End Drive with Motor (RIGHT)

FWDD-0.25R, 0.37R, 0.55R



FW Direct End Drive without Motor (RIGHT)

FWDD-0R



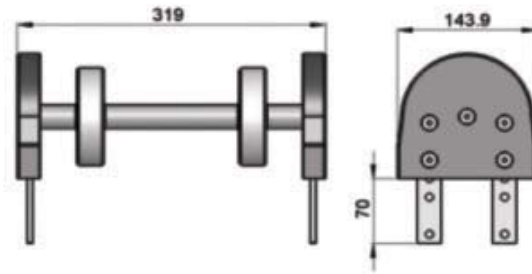
Max Traction Force : 1250N

The Direct End Drive Unit is without torque limiter. Standard attached gear motors are with SEW motor size 0.25kW, 0.37kW & 0.55kW. FWDD-0R represents direct drive without gear motor. Multi channel drives are available upon request.

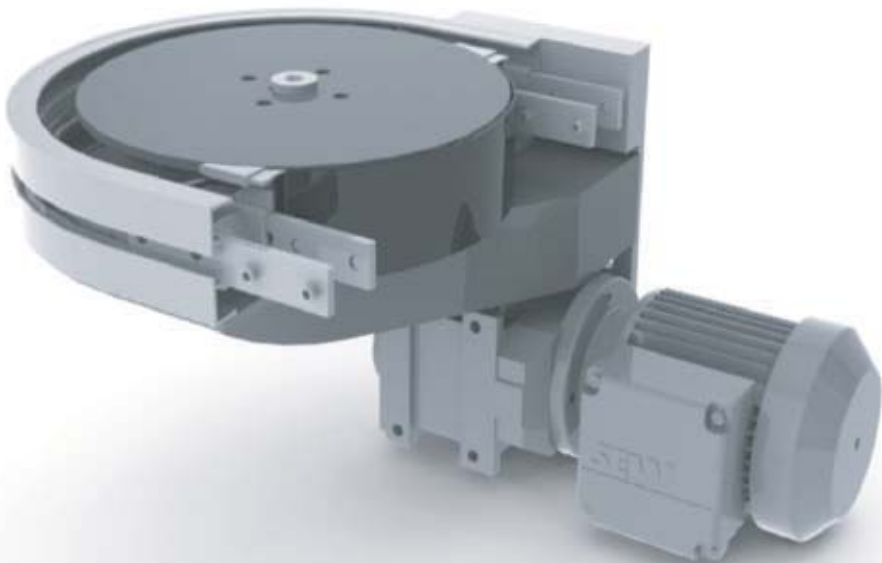
UOM : pc Chain required 2-way :0.8 meter Slide rail required 2-way: 0.4 meter

FW Idler End

FWIE-300



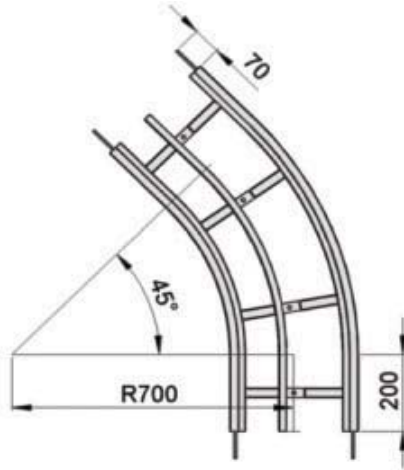
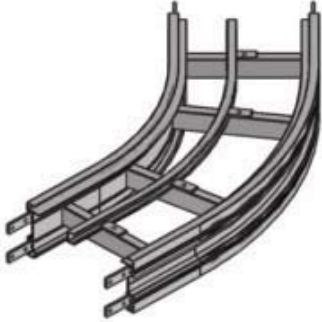
UOM : pc Chain required 2-way : 0.42 meter Slide rail required 2-way: 0.0 meter



FW

FW SERIES

FW Horizontal Plain Bend 45°



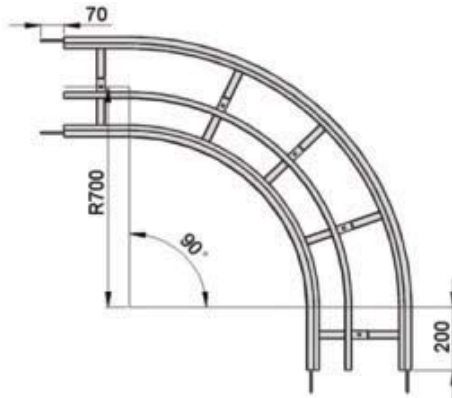
UOM : pc

Chain required 2-way 1.9 meter
Slide rail required 2-way 7.6 meter

Horizontal plain bend, 45° ± 1°

R = 700 ± 10mm **FWHB-45R700**

FW Horizontal Plain Bend 90°



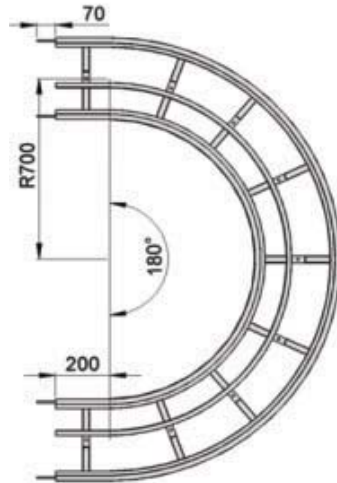
UOM : pc

Chain required 2-way 3.0 meter
Slide rail required 2-way 12.5 meter

Horizontal plain bend, 90° ± 1°

R = 700 ± 10mm **FWHB-90R700**

FW Horizontal Plain Bend 180°



UOM : pc

Chain required 2-way 5.2 meter
Slide rail required 2-way 21 meter

Horizontal plain bend, 180° ± 1°

R = 700 ± 10mm **FWHB-180R700**

FW Horizontal Plain Bend 5-180°

Example for FW Horizontal Plain Bend Ordering

Horizontal plain bend, $\theta^\circ \pm 1^\circ$

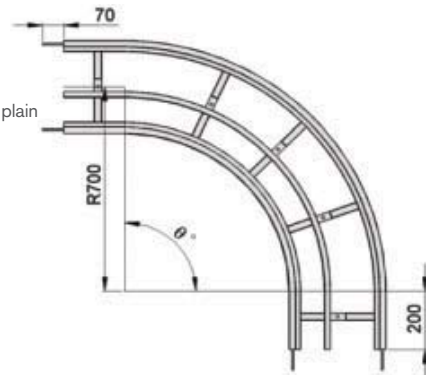
R = 700 ± 10mm **FWHB - θ° R700**

If an angle of 120° is needed for radius R700 horizontal plain bend, so the ordering part number is

FWHB -120R700

UOM : pc

Chain required 2-way R700 : meter (variable to angle)
Slide rail required 2-way R700 : meter (variable to angle)

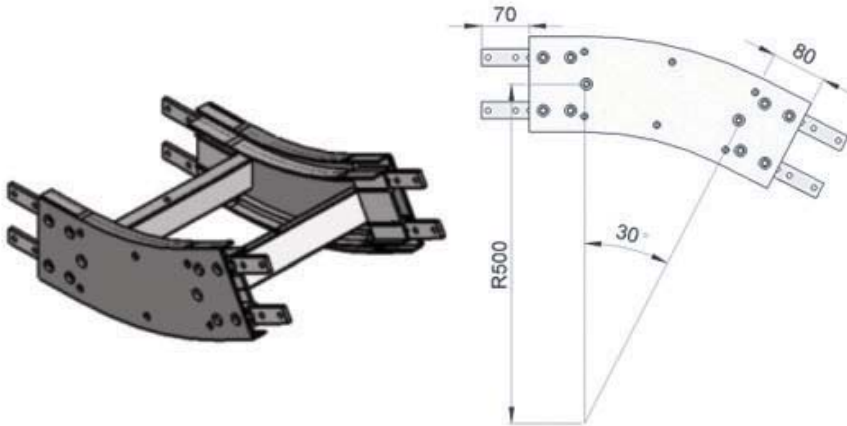


FW

FW SERIES

FW Vertical Bend 30°

FWVB-30R500



UOM : pc Chain required 2-way : 0.8 meter Slide rail required 2-way : 4.2 meter

FW Vertical Bend 5° - 90°

Example for FW Vertical Bend Ordering

- FW Vertical Bend, $\varnothing^\circ \pm 1^\circ$
- FWVB- \varnothing° R500

If an angle of 40° is needed for vertical bend,
so the ordering part number is

FWVB-40R500

*The outer bend is assembled using connecting strip
(FACS-25x140A). Angle of "∅°" must be indicated
when ordering.*

